

CIERRE MECÁNICO TIPO: CM502

Datos Técnicos:

Cierre Simple.

No equilibrado.

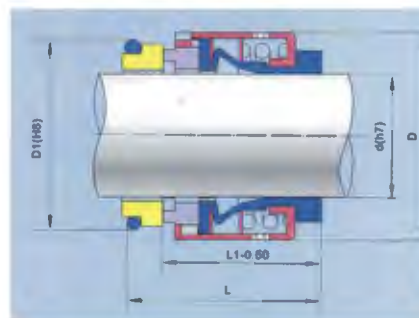
Independiente de la dirección de giro.

Fuelle elastomero.

Temperatura: -20°C a 150°C

Presión: 10 BAR

Velocidad: 15 m/seg



d	D	D1	L	L1
14	24	25	34.75	23.3
16	26	27	34.75	23.3
18	32	33	37.3	24.3
20	34	35	37.3	24.3
22	36	37	37.3	24.3
24	38	39	39.8	27
25	39	40	39.8	27.3
28	42	43	42.3	30.3
30	44	45	42.4	30.8
32	46	48	42.4	30.8
33	47	48	42.4	30.8
35	49	50	43.4	30.8
38	54	56	44.9	32.3
40	56	58	44.9	32.3
43	59	61	44.9	32.3
45	61	63	44.9	32.3
48	64	66	45.5	32.3
50	66	70	47.4	34.3
53	69	73	47.4	34.3
55	71	75	47.4	34.3
58	78	78	52.4	39.3
60	80	80	52.4	39.3
63	83	83	52.4	39.3
65	85	85	51.6	39.3
68	88	90	52.6	39.3
70	89	92	60.2	45.3
75	96	97	60.2	45.3
80	104	105	60.2	45.3
85	108	110	60.2	45.3
90	114	115	65.2	50.3
95	118	120	65.2	50.3
100	124	125	65.2	50.3