

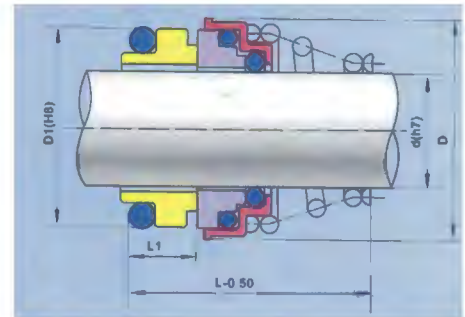
# CIERRE MECÁNICO TIPO: CM3

Datos Técnicos:

Temperatura: -20°C a 100°C

Presión: 10 BAR

Velocidad: 15 m/seg



d	D	D1	L	L1
10	20	18.1	20.8	5.5
11	22	20.6	23.8	5.5
12	22	20.6	23.8	5.5
13	25	23.1	28.3	6
14	25	23.1	28.3	6
15	29	26.9	29.3	7
16	29	26.9	30.3	7
17	29	26.9	30.3	7
18	33	30.9	32.3	8
19	33	30.9	33.3	8
20	33	30.9	33.3	8
21	38	35.4	33.3	8
22	38	35.4	33.3	8
23	38	35.4	35.3	8
24	38	35.4	35.3	8
25	40	38.2	35.8	8.5
28	46	43.3	38.3	9
29	46	43.3	39.3	9
30	46	43.3	39.3	9
32	46	43.3	39.3	9
33	48	53.5	50.8	11.5
35	50	53.5	50.8	11.5
38	56	60.5	50.8	11.5
40	58	60.5	50.8	11.5