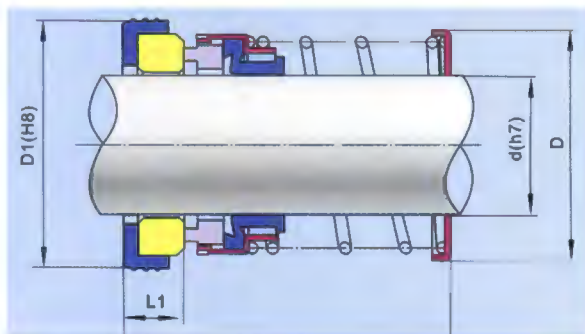


# CIERRE MECÁNICO TIPO: CM20

Datos Técnicos:  
 Temperatura: -30°C a 110°C  
 Presión: 15 BAR  
 Velocidad: 15 m/seg



Ø g6	d	D	D1	L	L1
12	12	22	23	32.5	8.6
14	14	24	25	35	8.6
16	16	27	27	35	8.6
18	18	30.5	33	37.5	10
20	20	33.5	35	37.5	10
22	22	33.5	37	37.5	10
24	24	38.3	39	40	10
25	25	39.5	40	40	10
28	28	42.3	43	42.5	10
30	30	44	45	42.5	10
32	32	46	48	42.5	10
33	33	46	48	42.5	10
35	35	49.3	50	42.5	10
38	38	53	56	45	11
40	40	56	58	45	11
43	43	59	61	45	11
45	45	61.3	63	45	11
48	48	64.3	66	45	11
50	50	66.3	70	47.5	13
55	55	72	75	47.5	13
58	58	78.5	78	52.5	13
60	60	78.5	80	52.5	13
63	63	81.8	83	52.5	13
65	65	84.5	85	52.5	13
68	68	90	90	52.5	15.3
70	70	90	92	52.5	15.3
75	75	97	97	60	15.3